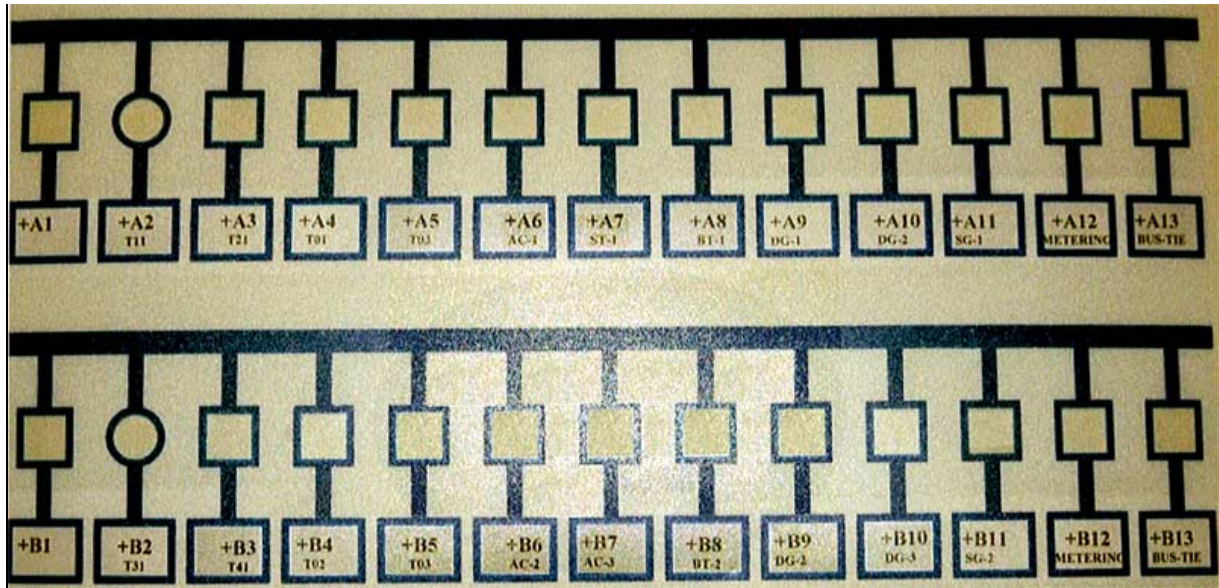


MIMIC DIAGRAM AS PER CLIENT SPECIFICATION FOR LOWE / MEDIUM VOLTAGE SYSTEM AND PROCESS SYSTEM



DESIGN.

- Front film with symbol print, up to 6 colours
- Fixed on 2,5mm Al-plate
- All indications mounted behind front film
- High IP degree allows mimic to be flushed and clamped
- Indication by double LED's
- Switches, etc. mounted behind front film
- Protection front IP55 rear IP20
- Temperature range: -20 to +60 °C