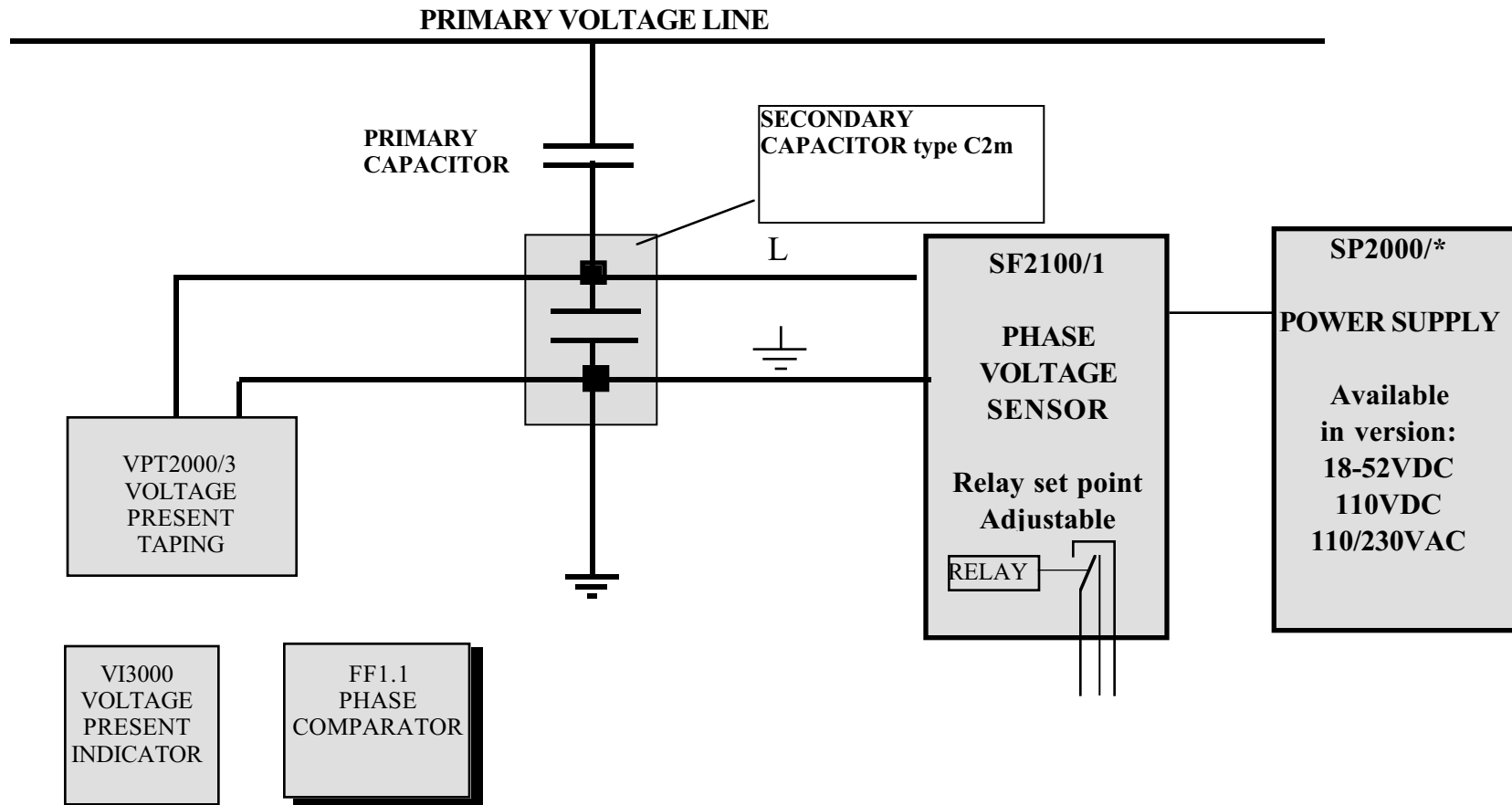


## PHASE VOLTAGE SENSOR SYSTEM FOR HR-SYSTEM (90V) OVERVIEW OF PRODUCT RANGE



**For safer operation**  
**For details see products pages for VPT2000/3, VI3000, C2m, FF1.1, SF2100/1 and SP2000**